

bold 

Alp Nuhođlu

Sofa





Designer: Alp Nuhođlu Category: Sofa
Environment: Indoor Country of Production: Turkey

Product Details

Beech hardwood frame structure is supported by plywood and MDF panels. The elastic column is used for the seat. HR foam is used for seat and back foam. Silicon fiber sheet is used before upholstery to give more comfort.

Base

Single version has wheels underneath, enabling it to swivel and allowing easy movement within the space.

Materials

Upholstery

Fabric, Leather, Artificial Leather. COM and COL options are also available.

textile fabric yardage (mt)	3
real leather square meter(m ²)	4,5



Side Table (Optional)

Ø30cm coffee table set on the right or the left side of the armchair according to user's preference.

MDF-Lam Table Top: 18mm MDF-Lam is used. Edges have angled-cut in order to decrease edge thickness in 6mm. MDF-Lam edges are not covered with PVC edge band. They are left as clean-cut.

MDF-Lam Options: See material catalogue for the laminate options.

Veneer Table Top: 18mm MDF pressed with veneer. It is varnished by matte polyurethane lac. Edges have angled-cut in order to decrease edge thickness in 6mm.

Veneer Options: Walnut Veneer, Natural Ash Wood Veneer, Black Ash Wood Veneer

Lacquer Table Top: After edge cutting of 18mm MDF is covered with polyurethane primer filler and sandpapered. After having a flat and smooth surface polyurethane matte painting is applied and left for chemical hardening.

Lacquer Options: Matte White, Matte Black, Matte Beige (RAL 1019)

Edge Detail



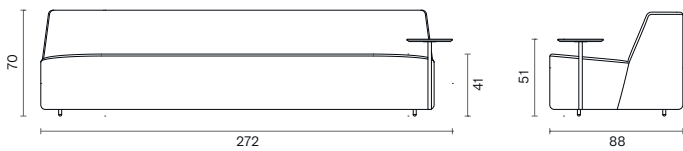
Click to view the fabric and material catalogues via [bt.design](#):

[B&T Fabric Catalogues](#)

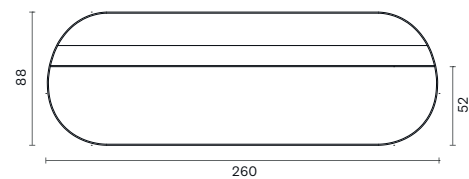
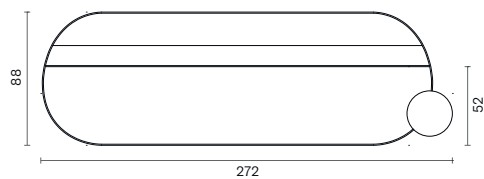
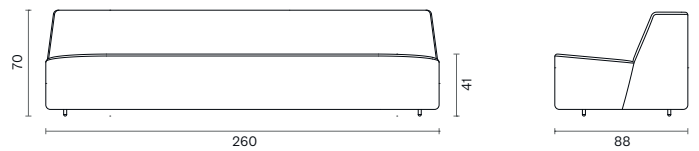
[B&T Material Catalogues](#)

Dimensions (cm)

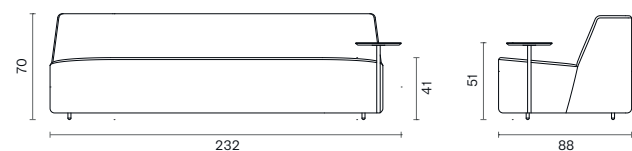
TRIPLE 260 WITH SIDE TABLE



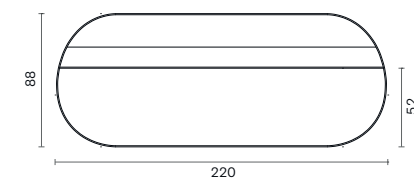
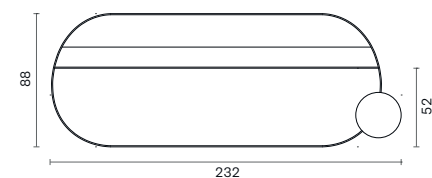
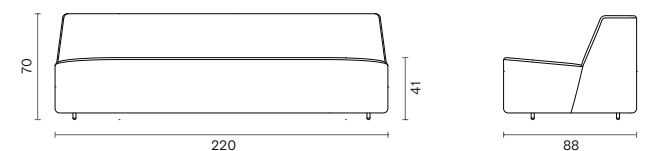
TRIPLE 260



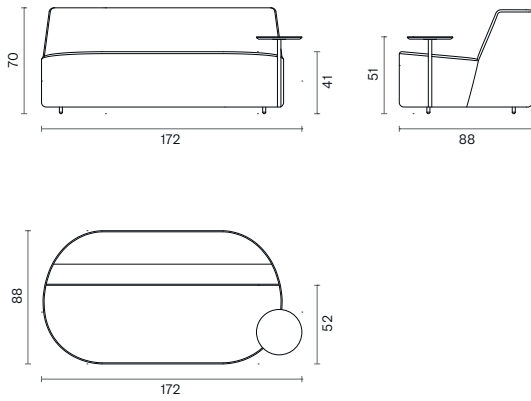
TRIPLE 220 WITH SIDE TABLE



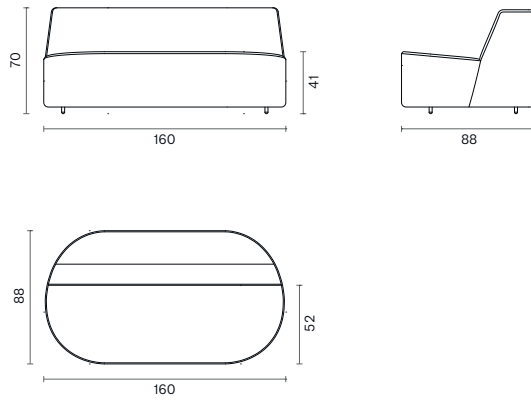
TRIPLE 220



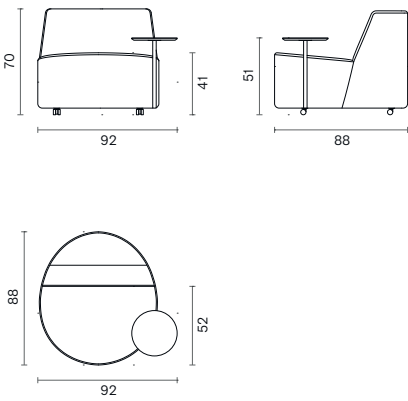
DOUBLE 160 WITH SIDE TABLE



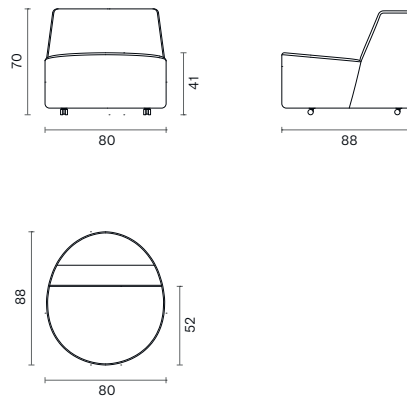
DOUBLE 160



SINGLE WITH SIDE TABLE



SINGLE



Downloads ↓

CAD files and photos are available at bt.design

Care and maintenance instructions are available at bt.design

Warranty

The guarantee policy of B&T Design protects their products in case of any defects regarding manufacturing and materials up to 5 years starting from the date of the invoice. Damages caused by lack of proper maintenance or misuse are not included in this warranty.